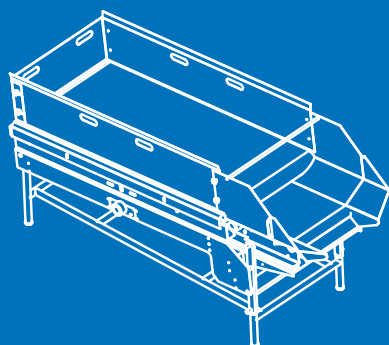




# Shibuya Hoppmann™

## WBS-30 Sanitary Bulk Conveyor for Food



### Prefeeder Highlights:

- All stainless steel construction (passivated)
- Simplified drive train utilizing AC powered roller drives
- Blue super duty belt with ultrasonic welded joint lace
- Easy access for belt cleaning, including:
  - Sliding hopper side walls
  - Pivoted idler pulley
  - Belt gap supports
  - Lower belt assembly slides



### We're proud to announce our new WBS-30 Sanitary Bulk Conveyor!

The WBS-30 Sanitary Bulk Conveyor is designed specifically for food products. Our new design incorporates powered roller drives in the center of the bulk hopper, and pivoted idler pulley, allowing for a variety of different discharge heights (from 5° to 15° without changing the hopper load height). The blue super duty belt with ultrasonic welds can be lifted up with integrated handles for quick clean, and the slotted stainless steel frame provides easy access to the conveyor. The WBS-30 incorporates two belts (42" wide hopper belt, and 24" wide discharge belt) to quickly and efficiently deliver your food products.

**Headquarters**  
7849 Coppermine Drive  
Manassas, VA  
20109  
540.829.2564 **t**  
800.368.3582 **t**  
540.829.1726 **f**

**Sales Office**  
1445 Brookville Way  
Suite F  
Indianapolis, IN 46239  
317.322.0754 **t**  
800.368.3582 **t**  
317.322.0794 **f**

**Manufacturing Office**  
291 Dillard Road  
Madison Heights, VA  
24572  
434.929.4746 **t**  
800.368.3582 **t**  
434.929.4959 **f**