



# Shibuya Hoppmann™

## FTS-50 Sanitary Food Feeder

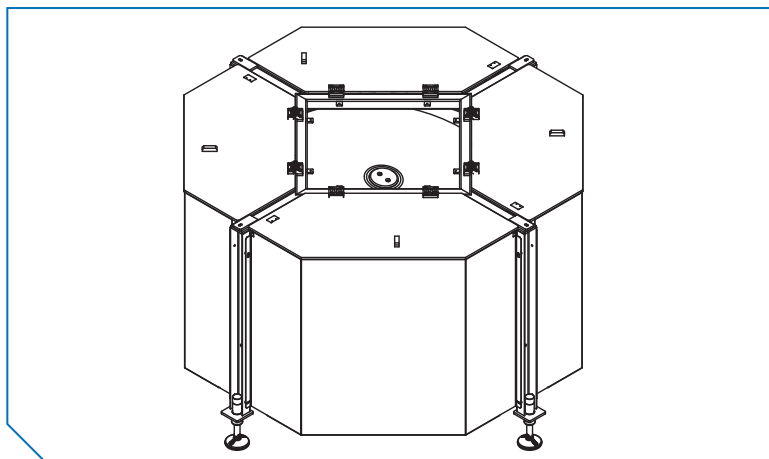


### Feeder Highlights:

- All stainless steel construction (passivated)
- Continuous welded seams
- Minimized horizontal surfaces (frame)
- Bolted connections gap spaced
- Bowl and center disc 316L stainless steel
- Stainless steel drive train components (including stainless steel dual AC motors)
- Platform mounted tooling
- Easy access for cleaning (slotted frame covers)
- No-tool changeover

### Introducing our brand new FTS-50 Sanitary Food Feeder!

Shibuya Hoppmann is proud to unveil our brand new FTS-50 Sanitary Feeder, uniquely designed for the fresh and frozen food industry. The custom design can feed and orient your food products at speeds up to 500 parts per minute. A slotted frame allows for quick and easy washdown cleaning. The pickled and passivated stainless steel construction gives you the sanitary production you require for your food handling needs.



**Headquarters**  
7849 Coppermine Drive  
Manassas, VA  
20109  
540.829.2564 **t**  
800.368.3582 **t**  
540.829.1726 **f**

**Sales Office**  
1445 Brookville Way  
Suite F  
Indianapolis, IN 46239  
317.322.0754 **t**  
800.368.3582 **t**  
317.322.0794 **f**

**Manufacturing Office**  
291 Dillard Road  
Madison Heights, VA  
24572  
434.929.4746 **t**  
800.368.3582 **t**  
434.929.4959 **f**