



### Product Overview:

Shibuya Hoppmann's standard LB-03 and LB-06 overhead prefeeders are designed to handle small to medium sized parts and are engineered to interface directly with smaller style parts feeders. A variable speed motor drives the belt at a speed of 23.00 inches per minute. Note: Controllers and mechanical level sensors are not supplied with this unit.

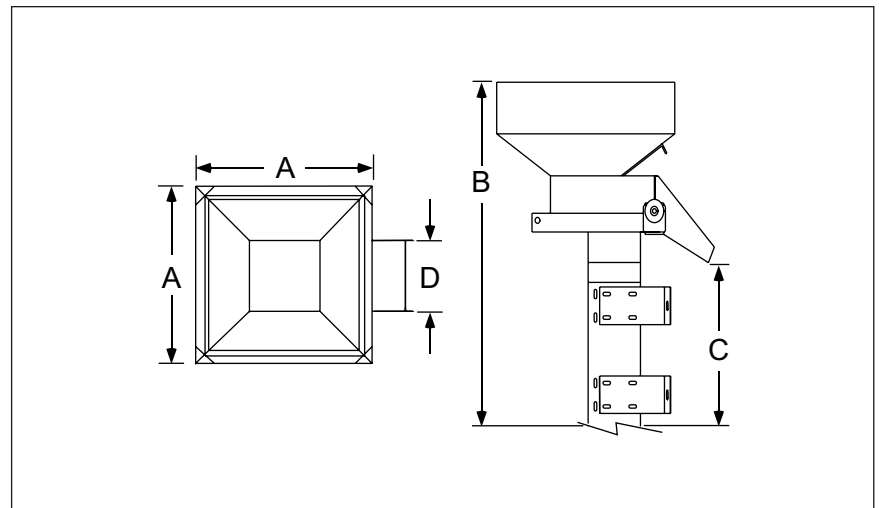
Part Number	LB03XXXDSA	LB03XXXASA
Motor Style	DC	AC
Motor Voltage	90V	208-230/460V
Horsepower	1/30hp	1/8hp
Total Equipment Weight	110 lbs.	50 kg
Hopper Capacity (LB-3)	3 ft <sup>3</sup>	85 liters
Hopper Capacity (LB-6)	6 ft <sup>3</sup>	170 liters

### Standard Features:

- Stainless steel construction
- Durable reinforced black neoprene belt with fiberglass cord
- Feeder mounting brackets

### Available Options:

- Continuous welded seams
- Hopper covers
- Continuous welded hopper seams
- Tan neoprene USDA/FDA dry contact food belt with fiberglass cord (Food Grade Unit: LB03XXXDFA and LB03XXXAFA)
- NEMA 1 encased controller



Product Specifications		ANSI	Metric
A	Hopper Width and Length	24" x 24"	610 x 610mm
B	Overall Height – LB-03	37"	940mm
B	Overall Height – LB-06	47.5"	1207mm
C	Discharge Height	17.5"	445mm
D	Belt Width	9.9"	252mm

**Headquarters**  
13129 Airpark Drive  
Suite 120  
Elkwood, VA 22718  
540.829.2564 t  
800.368.3582 t  
540.829.1726 f

**Sales**  
1445 Brookville Way  
Suite F  
Indianapolis, IN 46239  
317.322.0754 t  
800.368.3582 t  
317.322.0794 f

**Manufacturing**  
291 Dillard Road  
Madison Heights, VA  
24572  
434.929.4746 t  
800.543.0915 t  
434.929.4959 f

Shibuya Hoppmann Corporation strives to improve its products and reserves the right to change or discontinue specifications & designs shown in this brochure without notice and without incurring obligation. Revised: 05/12.