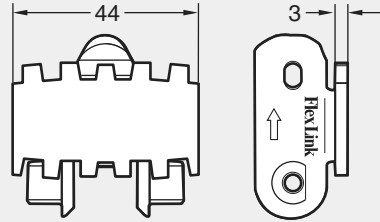
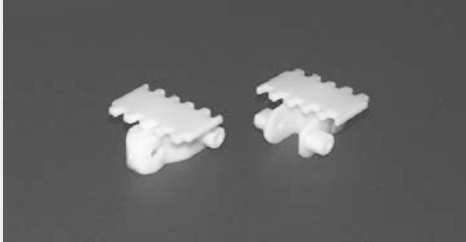


# Conveyor system XS - links and chains

Each link kit contains 10 links, 10 plastic pivots, and 10 stainless steel pins, unless otherwise specified. Material abbreviations: see page 3.

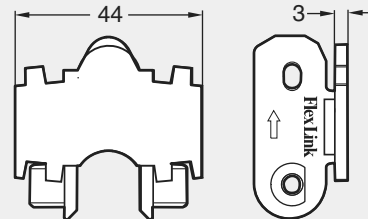
## Plain chain



Small products, e.g. medicine bottles.

| Chain    | Link(s)   | Link kit(s) | Dimensions | Link weight | Material, link | Material, pivot |
|----------|-----------|-------------|------------|-------------|----------------|-----------------|
| XSTP 5   | XSTL 44   | 5056061     |            | 12 g        | POM A          | See link        |
| 3921434  | 3921433   | 5056611     |            | 12 g        | POM B          | See link        |
| 3927342  | 3927341   | 5056612     |            | 12 g        | POM A GY       | POM A           |
| 3926403  | 3926404   | 5056613     |            | 12 g        | POM A BK       | POM A           |
| 3925932  | 3925931   | 5056614     |            | 12 g        | POM B ISD NAT  | POM B ISD       |
| XSTP 5 E | XSTL 44 E | 5056062     |            | 12 g        | POM A COND     | See link        |
| 3903463  | 3902401   | 5056615     |            | 12 g        | PBT            | See link        |
| 3903455  | 3903454   | 5056616     |            | 12 g        | PVDF           | See link        |
| 3927479  | 3927478   | 5114627     |            |             | POM B ISD GY   | POM B ISD GY    |

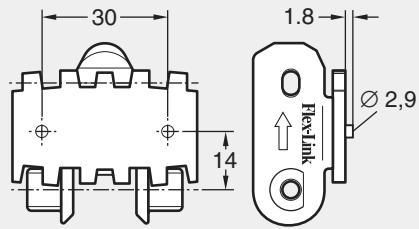
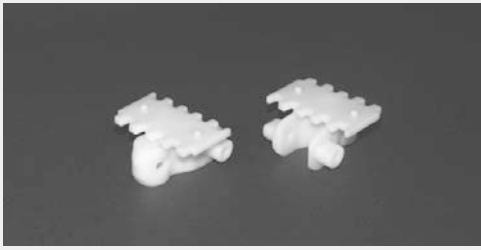
## Plain chain (narrow gap)



To prevent small products from getting caught in between teeth.

| Chain   | Link(s) | Link kit(s) | Dimensions | Link weight | Material, link | Material, pivot |
|---------|---------|-------------|------------|-------------|----------------|-----------------|
| 3905816 | 3905815 | 5056617     |            | 12 g        | POM A          | See link        |
| 3905634 | 3905633 | 5056618     |            | 12 g        | POM A BK       | POM A           |

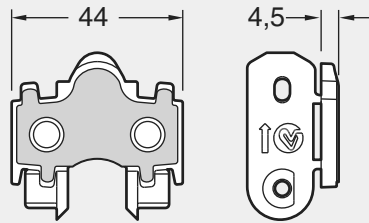
## Universal chain



Top attach customer specific cleat or fixture.

| Chain       | Link(s)   | Link kit(s) | Dimensions | Link weight | Material, link | Material, pivot |
|-------------|-----------|-------------|------------|-------------|----------------|-----------------|
| XSTF 5 U... | XSTL 44 U | 5056059     |            | 13 g        | POM A          | See link        |

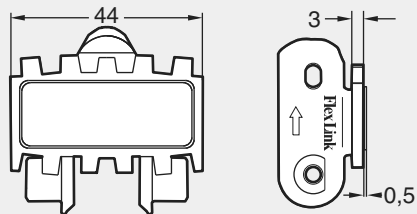
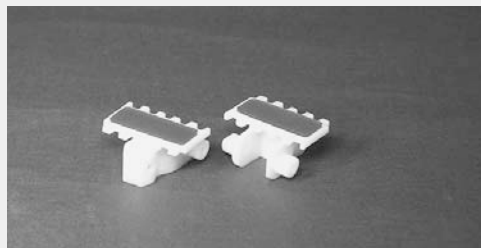
## Steel top chain, fingered



Top attach customer specific cleat or fixture.

| Chain     | Link(s)   | Link kit(s) | Dimensions | Link weight | Material, link | Material, pivot |
|-----------|-----------|-------------|------------|-------------|----------------|-----------------|
| XSTP 5 TF | XSTL 44 U | 5056634     |            | 24 g        | POM A + steel  | POM A           |

## Friction top chain



Slope 25°

| Chain      | Link(s)   | Link kit(s) | Dimensions | Link weight | Material, link | Material, pivot |
|------------|-----------|-------------|------------|-------------|----------------|-----------------|
| XSTP 5 F.. | XSTL 44 F | 5056060     |            | 13 g        | POM A          | See link        |

## Cleated chain

| Chain         | Link(s)       | Link kit(s) | Dimensions | Link weight | Material, link | Material, pivot |
|---------------|---------------|-------------|------------|-------------|----------------|-----------------|
| XSTF 5X5.5 A  | XSTL 44X5.5 A | 5056048     | h=5.5 mm   | 13 g        | POM A          | See link        |
| XSTF 5X9 A... | XSTL 44X9 A   | 5056046     | h=9 mm     | 14 g        | POM A          | See link        |

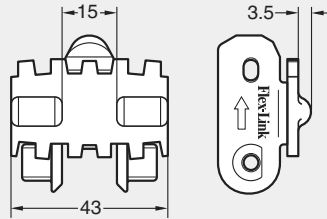
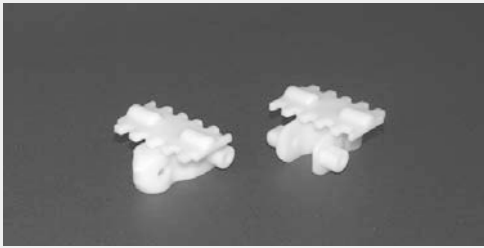
## Cleated chain

| Chain           | Link(s)       | Link kit(s) | Dimensions | Link weight | Material, link | Material, pivot |
|-----------------|---------------|-------------|------------|-------------|----------------|-----------------|
| XSTF 5X3 D...   | XSTL 44X3 D   | 5056052     | h=3 mm     | 13 g        | POM A          | See link        |
| XSTF 5X5.5 D... | XSTL 44X5.5 D | 5056049     | h=5.5 mm   | 13 g        | POM A          | See link        |
| XSTF 5X9 D...   | XSTL 44X9 D   | 5056045     | h=9 mm     | 14 g        | POM A          | See link        |
| XSTF 5X27 D...  | XSTL 44X27 D  | 5056053     | h=27 mm    | 18 g        | POM A          | See link        |

## Cleated chain

| Chain          | Link(s) | Link kit(s) | Dimensions | Link weight | Material, link | Material, pivot |
|----------------|---------|-------------|------------|-------------|----------------|-----------------|
| 5051181 PAR... | 5051183 | 5056619     |            | 13 g        | POM A          | See link        |

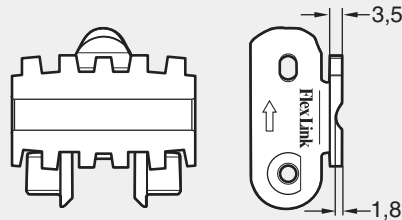
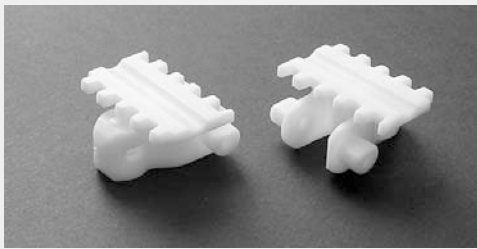
## Cleated chain



Only for drive unit type XSEB HL/HR. PBT version is suitable for cigarette transport.

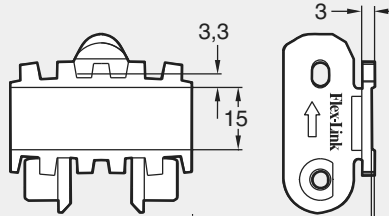
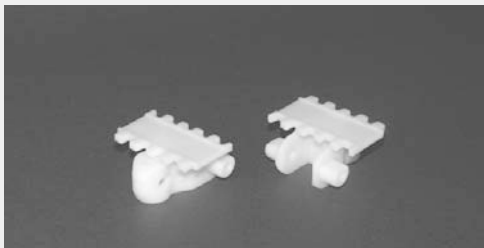
| Chain    | Link(s) | Link kit(s) | Dimensions | Link weight | Material, link | Material, pivot |
|----------|---------|-------------|------------|-------------|----------------|-----------------|
| 39224150 | 3902430 | 5056620     |            | 14 g        | POM A          | See link        |
| 3905798  | 3905797 | 5056621     |            | 14 g        | PBT            | See link        |

## Cleated chain



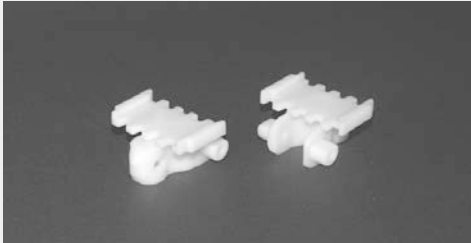
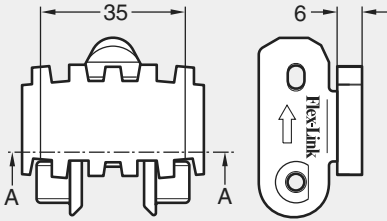
| Chain   | Link(s) | Link kit(s) | Dimensions | Link weight | Material, link | Material, pivot |
|---------|---------|-------------|------------|-------------|----------------|-----------------|
| 5048339 | 5048338 | 5056622     |            | 13 g        | POM A          | See link        |

## Cleated chain

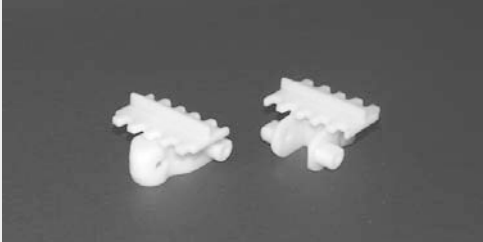
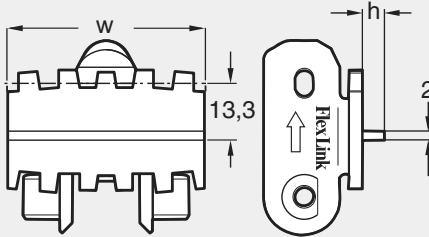


| Chain   | Link(s) | Link kit(s) | Dimensions | Link weight | Material, link | Material, pivot |
|---------|---------|-------------|------------|-------------|----------------|-----------------|
| 3904484 | 3903724 | 5056623     |            | 12 g        | POM A          | See link        |


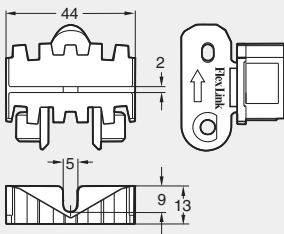
## Chain with elevated edges

|  |         |  |            |             |                |                 |
|---|---------|--|------------|-------------|----------------|-----------------|
| Chain   | Link(s) | Link kit(s)  | Dimensions | Link weight | Material, link | Material, pivot |
| 3924151   | 3902436 | 5056624  |            | 13 g        | POM A          | See link        |

## Cleated chain

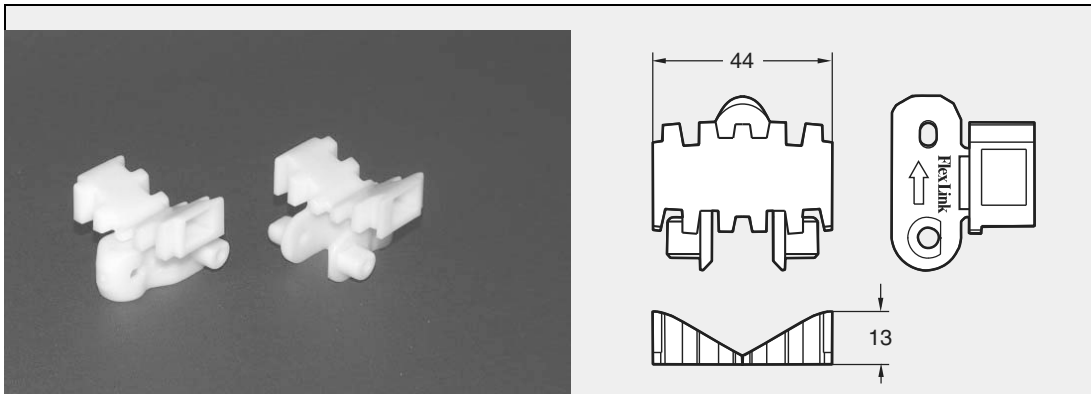
|  |             |  |                |             |                |                 |
|---|-------------|--|----------------|-------------|----------------|-----------------|
| Chain   | Link(s)     | Link kit(s)  | Dimensions     | Link weight | Material, link | Material, pivot |
| XSTF 5X3 G...   | XSTL 44X3 G | 5056051  | h=3 mm w=44 mm | 13 g        | POM A          | See link        |
| XSTF 5X5 G...   | XSTL 44X5 G | 5056050  | h=5 mm w=44 mm | 13 g        | POM A          | See link        |
| XSTF 5X9 G...   | XSTL 44X9 G | 5056043  | h=9 mm w=44 mm | 13 g        | POM A          | See link        |
| 5117326   | 5117237     | 5117532  | h=9 mm w=36 mm |             | POM A          | See link        |

## Cleated chain

|  |         |  |            |             |                |                 |
|---|---------|---|------------|-------------|----------------|-----------------|
| Chain   | Link(s) | Link kit(s)   | Dimensions | Link weight | Material, link | Material, pivot |
| 3903722 PAR   | 3903719 | 5056625   |            | 16 g        | POM A          | See link        |
|   | 3903720 | 5056626   |            |             |                |                 |
| 3927346 PAR   | 3927343 | 5056627   |            | 16 g        | POM A GY       | POM A           |
|   | 3927345 | 5056628   |            |             |                |                 |

Suitable for rollers in slopes up to 45°. Cleated chain consists of flat top links 3903720/3927345 combined with cleated links 3903719/3927343. Also See link type 3903720/3927345.

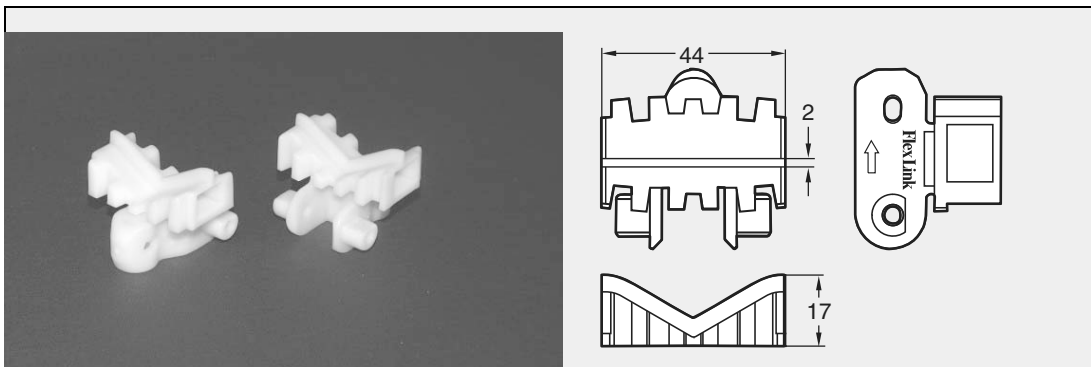
## Cleated chain (flat top cleats)



Suitable for rollers. Link 3903720/3927345 often used in slopes in combination with 3903719/3927343.

| Chain   | Link(s) | Link kit(s) | Dimensions | Link weight | Material, link | Material, pivot |
|---------|---------|-------------|------------|-------------|----------------|-----------------|
| 3903721 | 3903720 | 5056626     |            | 16 g        | POM A          | See link        |
| 3927344 | 3927345 | 5056628     |            | 16 g        | POM A GY       | POM A           |

## Cleated chain



Suitable for small rollers in slopes. Cleated chain consists of flat top links 3903720/3927345 combined with cleated links 3904687/3927347. Also See link type 3903720/3927345.

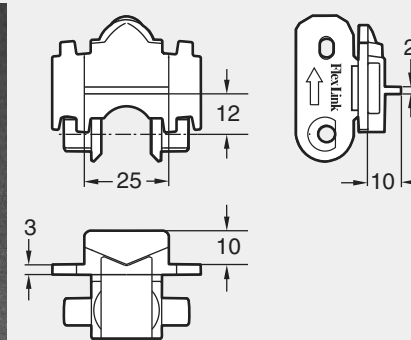
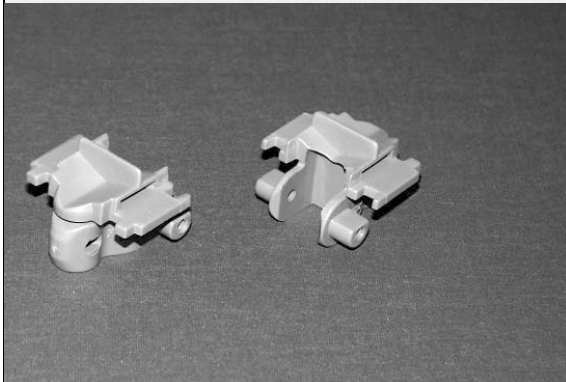
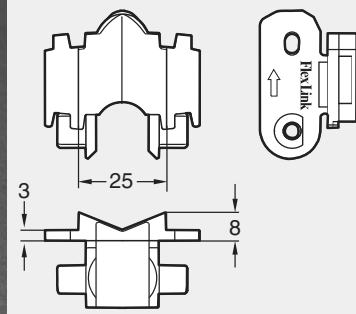
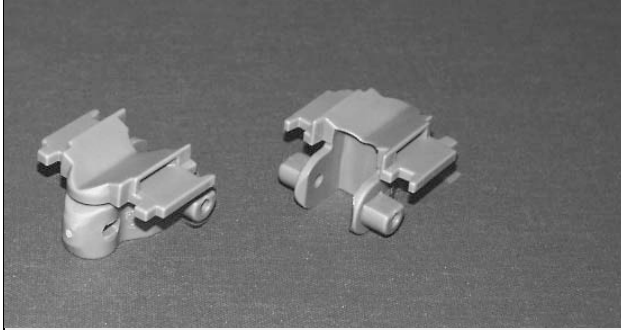
| Chain       | Link(s) | Link kit(s) | Dimensions | Link weight | Material, link | Material, pivot |
|-------------|---------|-------------|------------|-------------|----------------|-----------------|
| 3904688 PAR | 3904687 | 5056629     |            | 16 g        | POM A          | See link        |
|             | 3903720 | 5056626     |            |             |                |                 |
| 3927348 PAR | 3927347 | 5056630     |            | 16 g        | POM A GY       | POM A           |
|             | 3927345 | 5056628     |            |             |                |                 |

## Cleated chain (narrow gap)

| Chain   | Link(s) | Link kit(s) | Dimensions | Link weight | Material, link | Material, pivot |
|---------|---------|-------------|------------|-------------|----------------|-----------------|
| 3905568 | 3905567 | 5056631     |            | 13 g        | POM A          | See link        |
| 3927350 | 3927349 | 5056632     |            | 13 g        | POM A GY       | POM A           |

## Cleated chain (narrow gap)

| Chain   | Link(s) | Link kit(s) | Dimensions | Link weight | Material, link | Material, pivot |
|---------|---------|-------------|------------|-------------|----------------|-----------------|
| 5044112 | 5044111 | 5056633     |            | 14 g        | POM A GY       | POM A           |



Intro  
X45  
X45H  
XS  
XL  
X65  
XM  
X85  
X85X  
XH  
XK  
X180  
X180X  
X300  
X300X  
XT  
WL  
IDX